

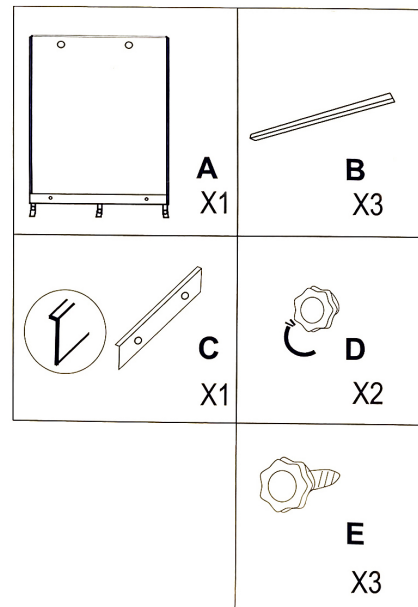
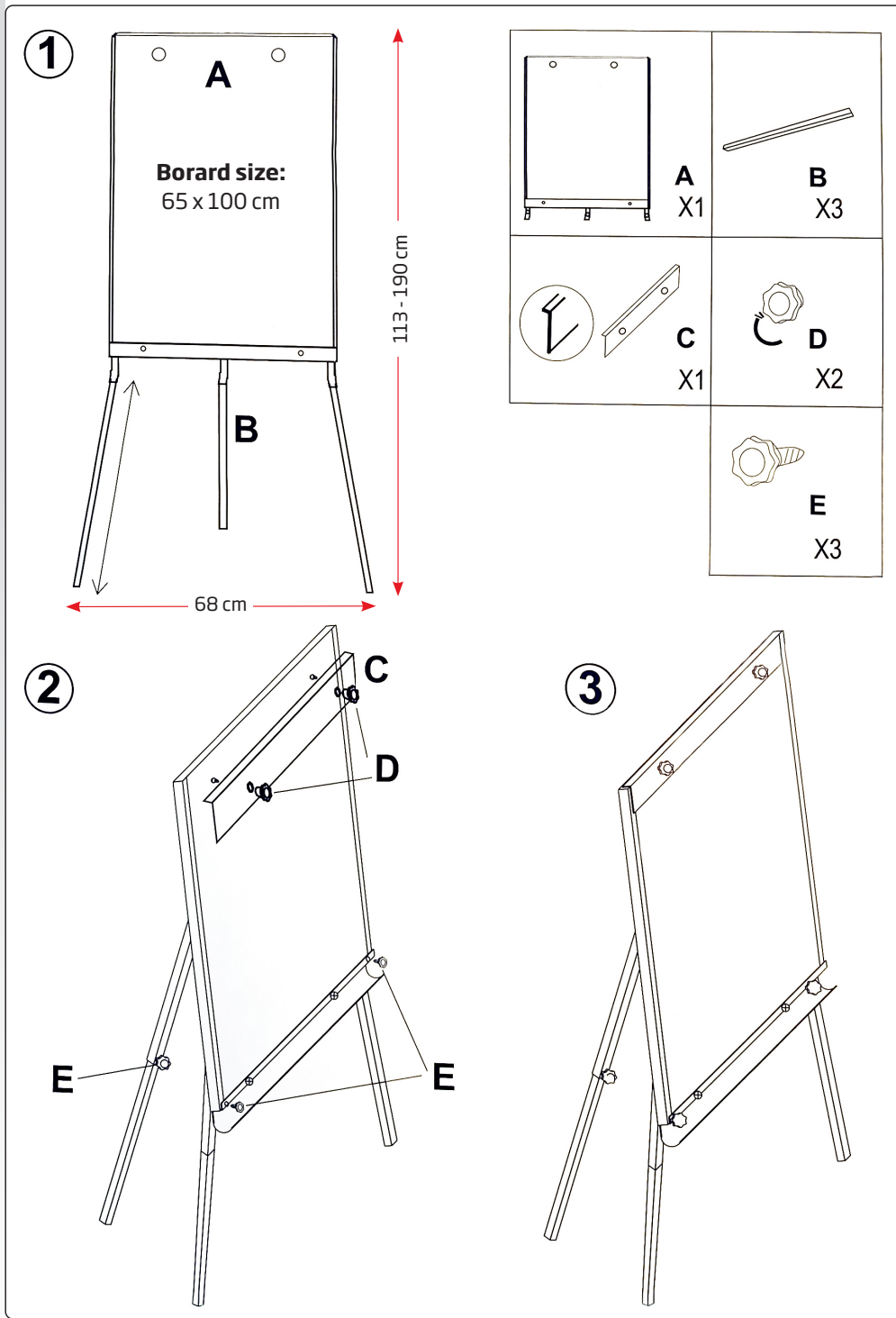
Flipchart Stable



Stable 3-legs stand flipchart in aluminum. Magnetic ABS whiteboard with paper clamp, painted steel writing surface and MDF back. Adjustable height. Delivered without paper.

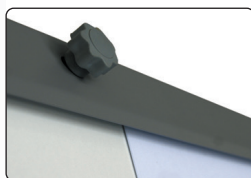
Stabile Dreibein Ständer Flipchart in Aluminium. Magnetische ABS Whiteboard mit Klemmbretter, lackiertem Stahl Schreibfläche und MDF Rück-platte. In der Höhe verstellbar. Wird ohne Papier geliefert.

Stabil 3-bens stativ flipover i aluminium. Magnetisk ABS whiteboard med papirklemme, skriveoverflade i malet stål og MDF bagplade. Justérbar i højden. Leveres uden papir.



Optional paper:

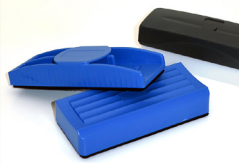
1 block
art. 5055
5 blocks
art. 5056



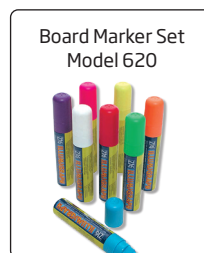
Magnets: Model 610



**Optional erasers:
Model 612, 613 & 614**



**White Board Pens:
Model 619**



**Board Marker Set
Model 620**

**White Board Kit:
Model 630**



| Model | Article | Product | Board size | Colour | Width | Adj. height | Package size and weight | Pallet size and quantity |
|-------|---------|---------|-------------|------------|-------|--------------|-------------------------|---------------------------|
| 1165 | 6798 | Stable | 65 x 100 cm | Black/grey | 68 cm | 113 - 190 cm | 113 x 70 x 7 cm 9,9 kg | 80 x 120 x 220 cm 29 pcs. |