

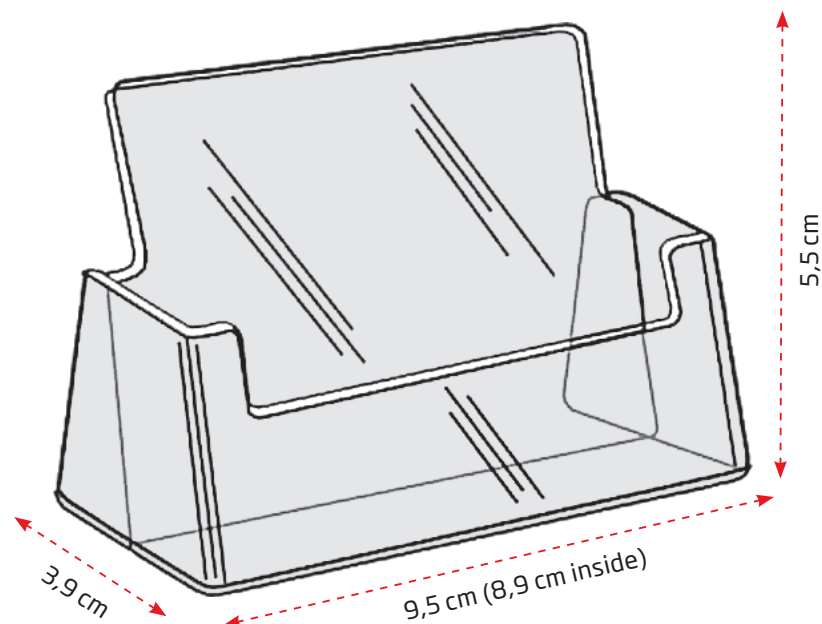
 Business card holder made of transparent acrylic material, injection moulded.

 Visitenkartenhalter aus Transparenten spritzgussgeformtem Polystyren hergestellt.

 Visitkortholder produceret i transparent sprøjttestøbt polystyren.

Inside
 measure
 of holder:
 1,8 cm



**For your
 business
 card!**

Model	Article	Card size horizontal	Colour	Total W x H x D	Quantity/box	Package size & weight	Pallet size and quantity
1212	7509	8,5 x 5,5 cm	Transparent	9,5 x 5,5 x 3,9 cm	480 pcs.	25 x 35 x 9 cm (40 pcs.) 0,1 kg	80 x 120 x 125 cm 4680 pcs.