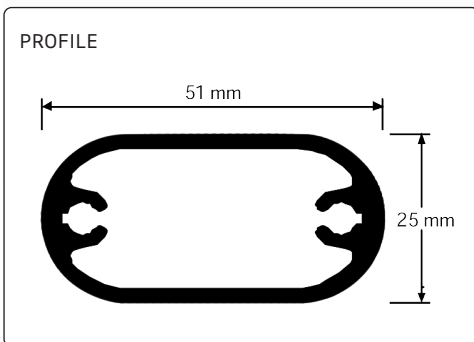
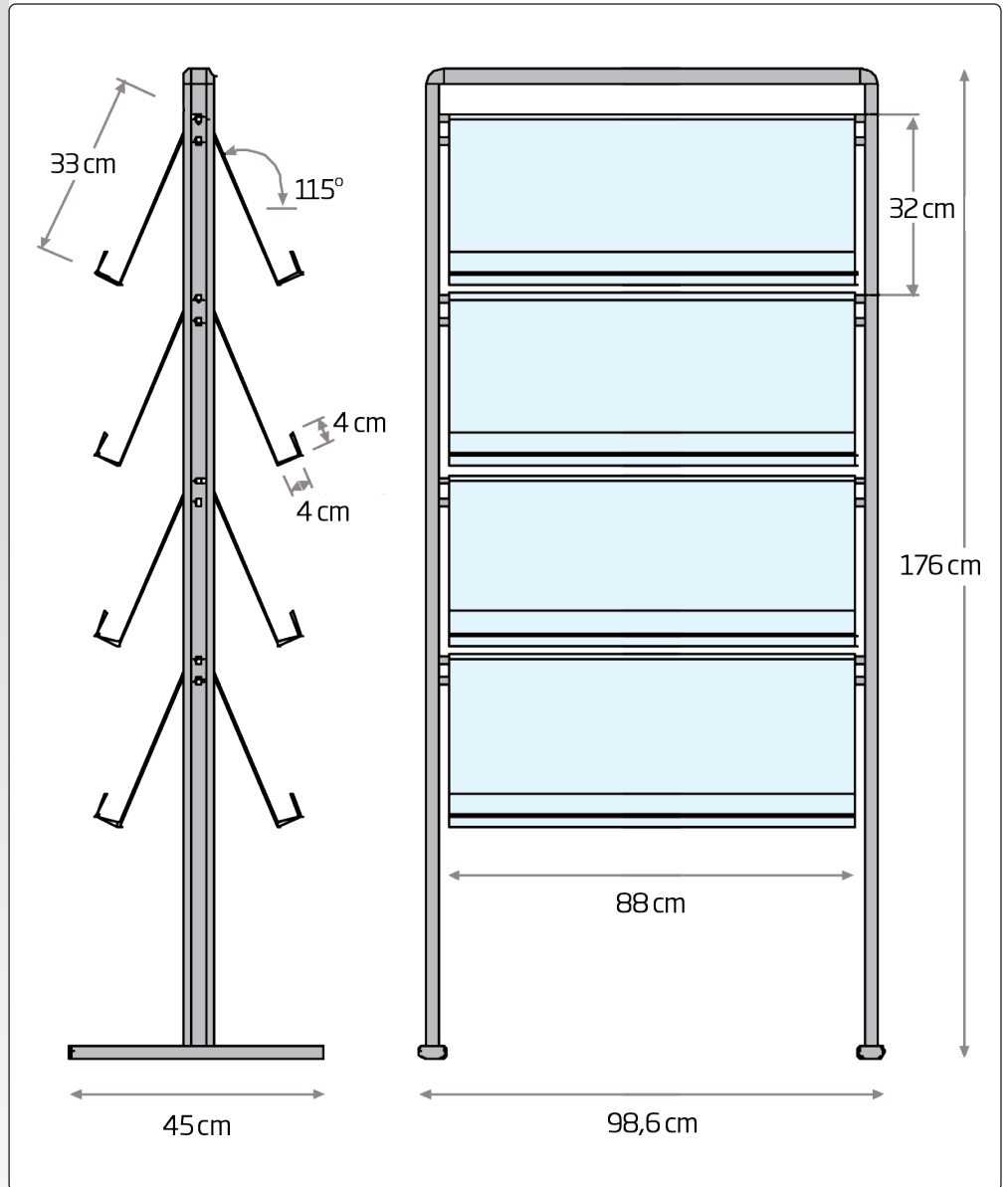




🇬🇧 Doublesided brochure stand, designed for 32 pcs. of A4 brochures. Alu legs and transparent shelves made of 3 mm acrylic.

🇩🇪 Doppelseitiger Aluminium Ständer mit Kapazität für 32 Stück A4 Prospekte. Mit Fächer in 3 mm Acryl Ausführung.

🇩🇰 Dobbelt-sided aluminium brochurestander til ialt 32 stk. A4-brochurer. Hylder i 3 mm akryl.



Model	Article	Capacity	Colour	Total W x H x D	Package size and weight	Pallet size and quantity
816	4610	Double sided: 32 x A4	Alu / acrylic	98 x 176 x 45 cm	2 pcs.: 178 x 97 x 7 + 90 x 37 x 48 cm 25 kg	80 x 120 x 220 cm 10 pcs.