

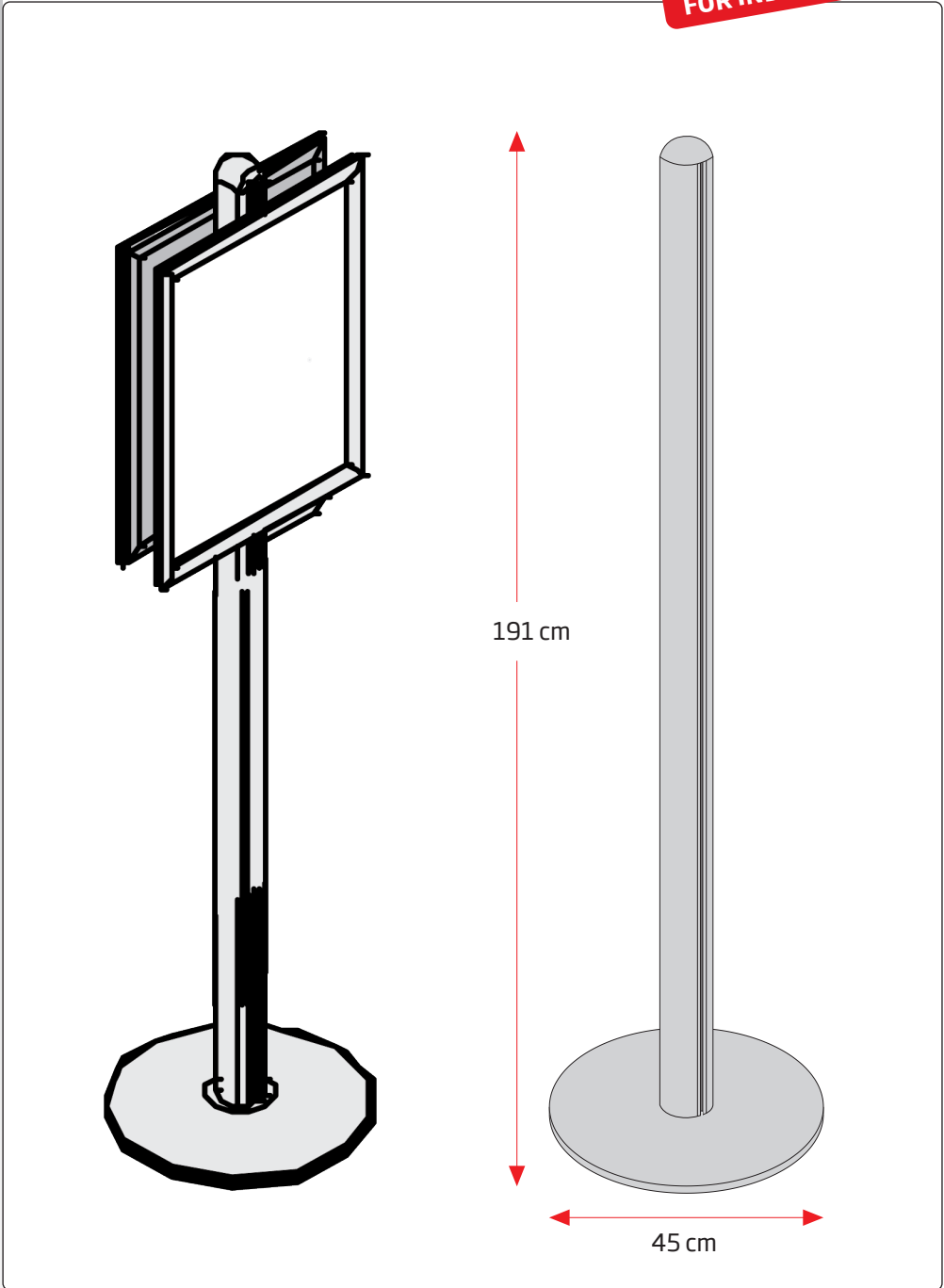
**FOR INDOOR USE!**



Aluminum stand with 2 pcs. 25 mm alu snap-frames. For indoor use.

Aluminium stand, doppelseitig, mit 2 Stück 25 mm Alu Snap-Frames. Für den Innenbereich.

Aluminium stander monteret med 2 stk. 25 mm alu snap-frames. Til indendørs brug.



Optional round shelf:  
model 968 / art. 2885



Optional iPad holder  
model 969 / art. 2879



Model	Article	Poster size	Color	Total W x H	Base	Package size and weight	Pallet size and quantity
910	<b>2993</b>	50 x 70 cm	Alu/silver	52,9 x 190 cm	Ø 45 cm	8x195x9 + 47x47x5 + 56x76x12 cm 16,0 kg	80 x 120 x 220 cm 30 pcs.
910	<b>2994</b>	60 x 85 cm	Alu/silver	62,3 x 190 cm	Ø 45 cm	8x195x9 + 47x47x5 + 66x91x12 cm 18,5 kg	80 x 120 x 220 cm 30 pcs.
910	<b>2995</b>	70 x 100 cm	Alu/silver	72,9 x 190 cm	Ø 45 cm	8x195x9 + 47x47x5 + 76x106x12 cm 19,0 kg	80 x 120 x 220 cm 30 pcs.