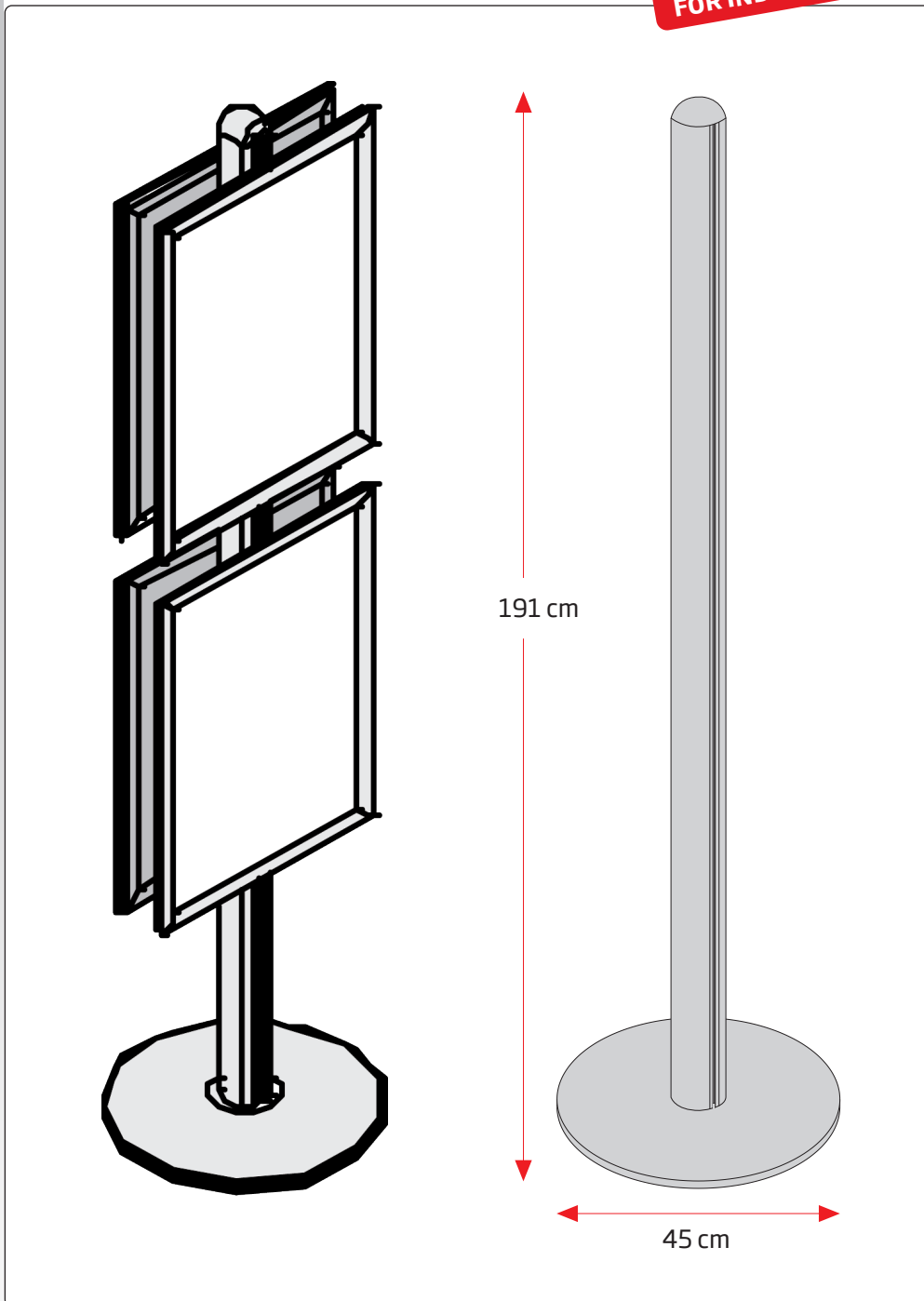





FOR INDOOR USE!



 Aluminum stand with 4 pcs. 25 mm alu snap-frames. For indoor use.

 Aluminium Ständer, doppelseitig, mit 4 Stück 25 mm Alu Snap-Frames. Für den Innenbereich.

 Aluminium stander monteret med 4 stk. 25 mm alu snap-frames. Til indendørs brug.



Optional round shelf:
model 968 / art. 2885



Optional iPad holder
model 969 / art. 2879



Model	Article	Poster size	Color	Total W x H	Base	Package size and weight	Pallet size and quantity
912	2998	50 x 70 cm	Alu/silver	52,9 x 190 cm	Ø 45 cm	8x195x9 + 47x47x5 + 56x76x22 cm 18,5 kg	80 x 120 x 220 cm 30 pcs.
912	2999	60 x 85 cm	Alu/silver	62,3 x 190 cm	Ø 45 cm	8x195x9 + 47x47x5 + 66x91x22 cm 23,5 kg	80 x 120 x 220 cm 30 pcs.