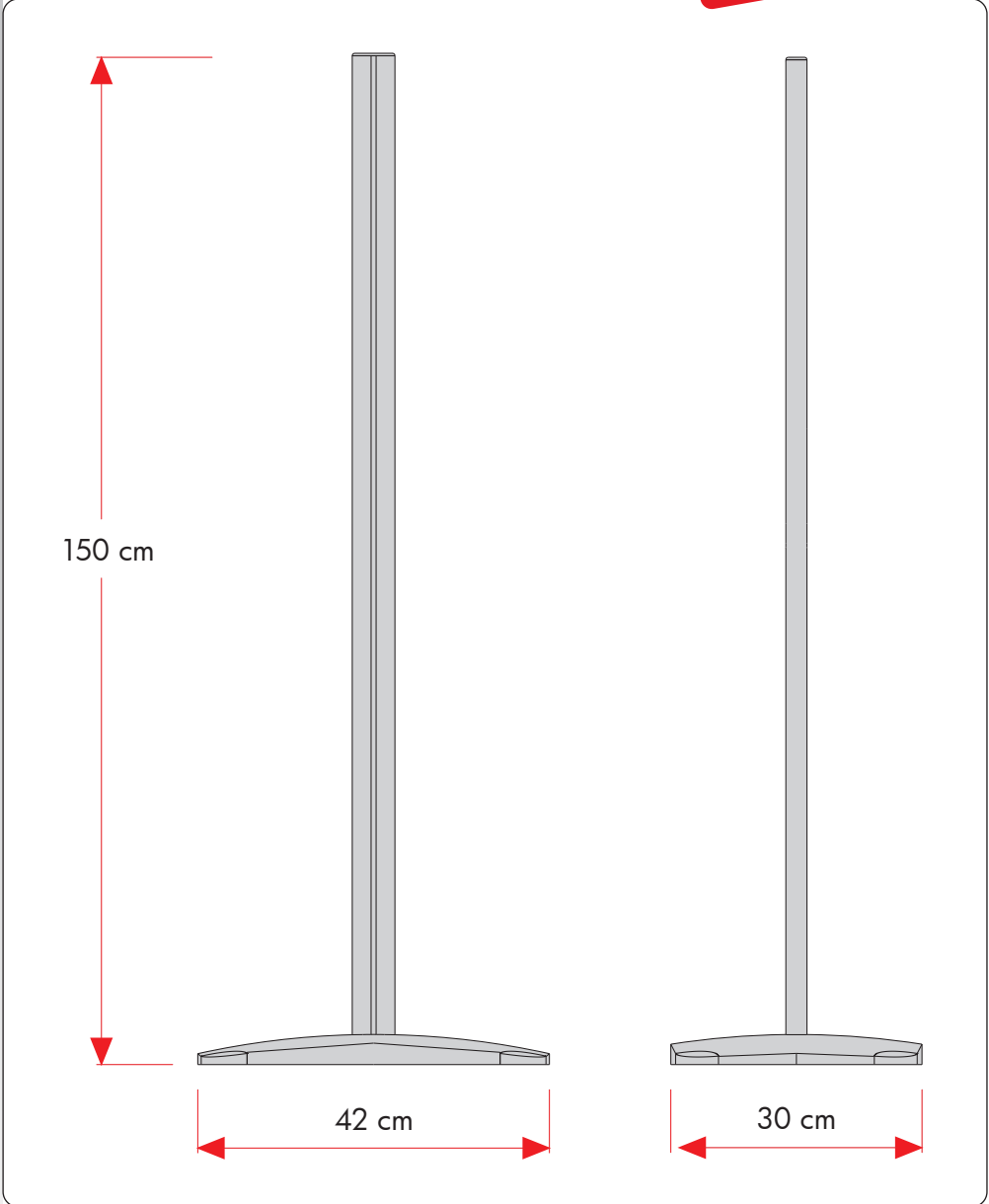
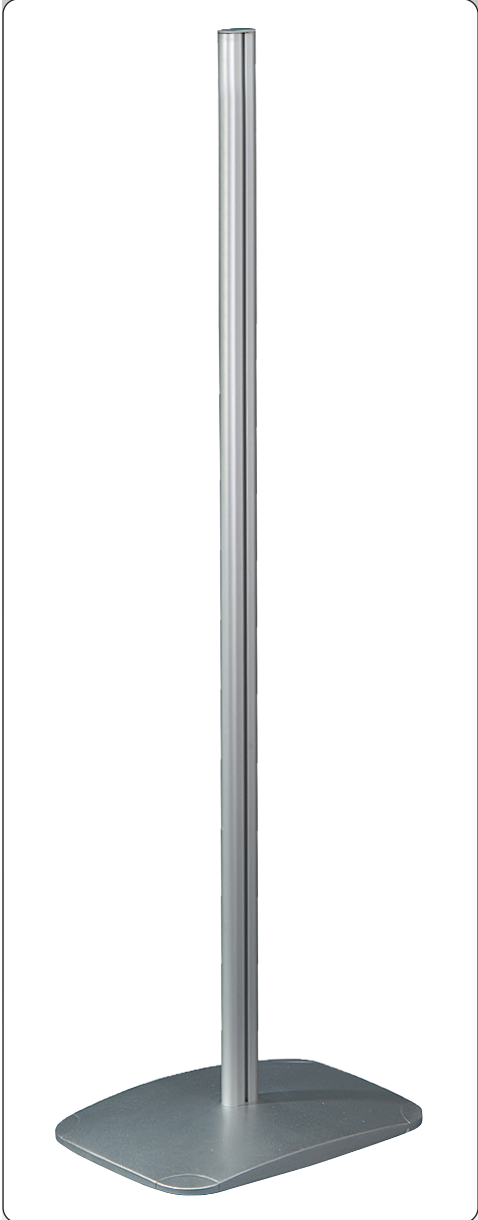


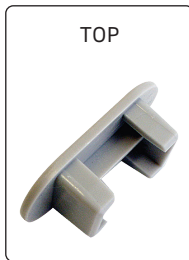
FOR INDOOR USE!



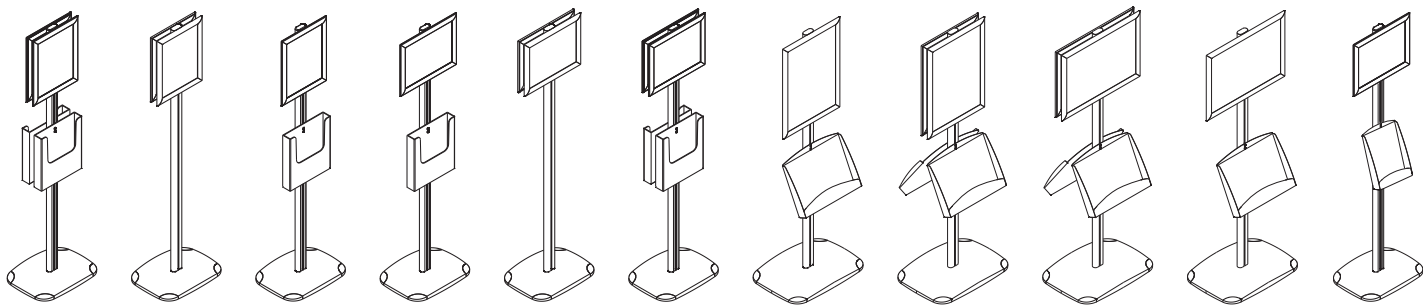
Anodized aluminum 2-channel stand 150 cm. Silver lacquered steel foot, 42 x 30 cm.

Eloxiertes Aluminium 2-Kanal-Ständer 150 cm. Silberlackierter Stahlfuß, 42 x 30 cm.

Eloxeret alu-stander 150 cm med 2 kanaler. Sølvlakeret stålfod, 42 x 30 cm.



Use Mini Multi Stand in many different ways ...



Model	Article	2 channel stand	Color	Total W x H x D	Base	Package size and weight	Pallet size and quantity
950	2905	150 cm height	Alu/silver	42 x 150 x 30 cm	42 x 30 cm	150 x 36 x 5,5 cm 7 kg	80 x 160 x 220 cm 100 pcs.